

CRLC SERIES COMMERCIAL INDOOR LIGHTING

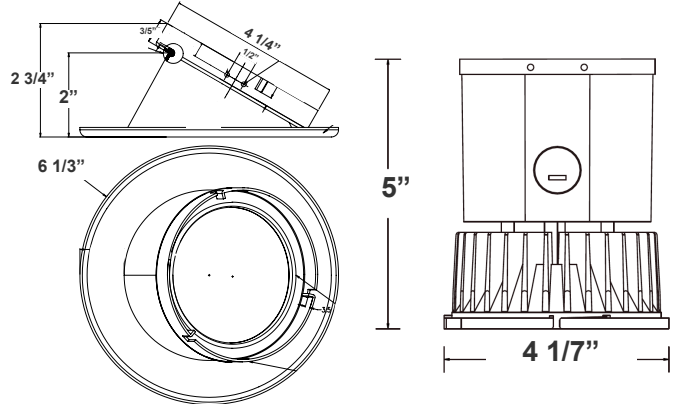
WESTGATE
THE FUTURE IS HERE...AND IT'S QUITE BRIGHT!

CRLC4-40W-MCTP-A-D
CRLC4-40W-MCTP-A-D-WH
4" LED COMMERCIAL RECESSED LIGHT

Customer Name: _____

Project Name: _____

Note: _____ Type: _____



7 3/4" (H) X 4 1/7" (W) X 6 1/3" (D)

Ideal for hotel, offices, retail outlets, restaurant, parking garages, conference room, education facilities and more.

Features

- 4" Haze & White Finish TRIM
- MCTP: The Switch Is On The Light Engine
- Mounting Options: Recessed
- 5-Year Warranty
- Lifespan: 50,000 hrs.

Technical Specifications

Electrical:

- Voltage: 120-277VAC 50/60Hz
- Wattage: 27W/34W/40W
- Power factor: >0.90
- Efficacy: 80 LPW

Mechanical:

- 4" Haze & White Finish TRIM
- Mounting Options: Recessed
- Temperature Rating: Designed To Operate In Temperatures 113°F
- Housing Not Required. Two Spring Clips To Hold The Fixture In Place
- No IC-Rated
- Suitable for Damp Locations
- 5-Year Warranty

Lighting:

- MCTP: The Switch Is On The Light Engine
- Dimming: 0~10V Dimmable
- Total lumens: 3200LM
- Color temperature: 3000K/3500K/4000K
- Color rendering index: >80
- Lifespan: 50,000 hrs.

Applications:

- Ideal for hotel, offices, retail outlets, restaurant, parking garages, conference room, education facilities and more.

Other Models:

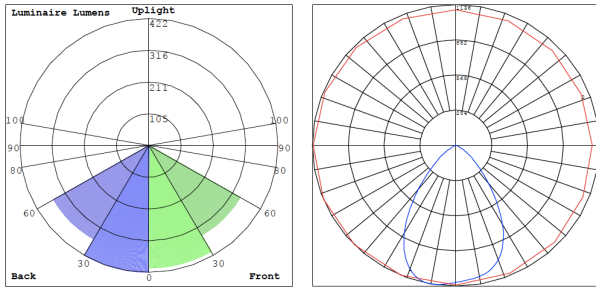
- 40W | 3200LM | CRLC4-40W-MCTP-D
- 40W | 3200LM | CRLC4-40W-MCTP-D-WH



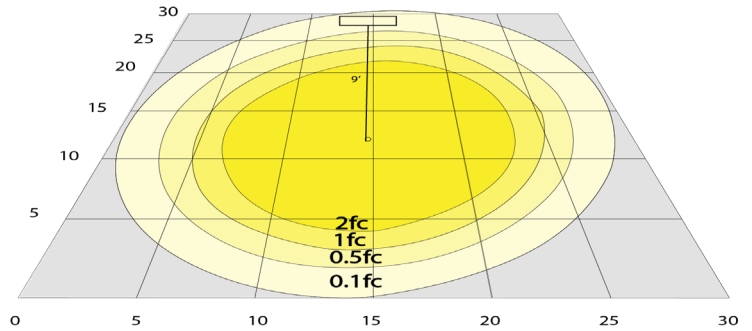
Phone: (877) 805-2252 | Fax: (877) 805-2252
www.westgatemfg.com



Photometrics: CRLC4-40W-MCTP-A-D



BUG Rating: B1-U1-G0



20W 5000K, Area 30" x 30" Mounting Height: 9'

Other Views:

Hazel



CRLC-EGN-40W-MCTP-D



CRLC-TRM-4A



CRLC4-20W-MCT-A-D

White



CRLC-EGN-40W-MCTP-D



CRLC-TRM-4A-WH



CRLC4-15W-MCT-A-D-WH

Performance Table: CRLC4-40W-MCTP-A-D

MODEL NO.	Wattage	Voltage	Lumens	Color Temp.	BUG Rating	LPW
CRLC4-40W-MCTP-A-D	27W	120-277V	2160LM	3000K	B1-U1-G0	80
	34W		2720LM	3500K		
CRLC4-40W-MCTP-A-D-WH	40W		3200LM	4000K		

Sample Ordering

Model Watt Color Temp. Dimming Housing

CRLC4 - 40W - MCTP - A - D -

Blank
WH = WHITE

Accessory:

Blank = No Option For Accessories
RSL4-RI = 4" ROUND ROUGH-IN PLATE, 26" LONG
RSL4-RI-13 = 4" ROUND ROUGH-IN PLATE, 13" LONG

Factory-Installed Option:

Blank = No Option For Accessories
OPT-EM-HB1EXT = EXTERNAL EMERGENCY BACK UP BATTERY

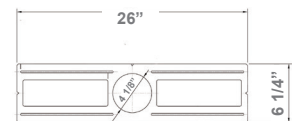
Example:

- CRLC4-40W-MCTP-A-D (FOR 40W CRLC4 MCTP 120-277V)
- CRLC4-40W-MCTP-A-D OPT-EM-HB1EXT (FOR 40W CRLC4 MCTP 120-277V) (EXTERNAL EMERGENCY BACK UP BATTERY)

Accessory:



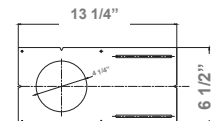
RSL4-RI
4" ROUND ROUGH-IN
PLATE, 26" LONG



RSL4-RI
26"(W) x 6 1/4"(H)



RSL4-RI-13
4" ROUND ROUGH-IN
PLATE, 13" LONG



RSL4-RI-13
13 1/4"(W) x 6 1/2"(H)

Factory-Installed Option:



OPT-EM-HB1EXT
EXTERNAL EMERGENCY
BACK UP BATTERY

